

# TSC-093

9884170

# TSC-094

9884937

EN

## Instruction Manual Thermostat

4688105 / 1520

*Acknowledged globally*



REFCO Manufacturing Ltd.  
Industriestrasse 11  
6285 Hitzkirch - Switzerland

+41 41 919 72 82  
info@refco.ch

[www.refco.ch](http://www.refco.ch)

## 1. Introduction

Thank you for purchasing the thermostat TSC-093 / TSC-094.

## 2. General Information



It is important to read this entire manual and be familiar with its content before using the device.



**Conformity:** This device meets compliance with the relevant European directives. The declaration of conformity is available at the given contact or on the REFCO – website.

## 3. Important safety notice



**WARNING:** Disconnect all electrical power before starting installation, maintenance, or service work.



**WARNING:** Do not install the REFCO thermostat if there are any signs of damage



**WARNING:** Do not operate the thermostat outside the environmental conditions given in the technical data section

### 3.1. Purpose and intended use

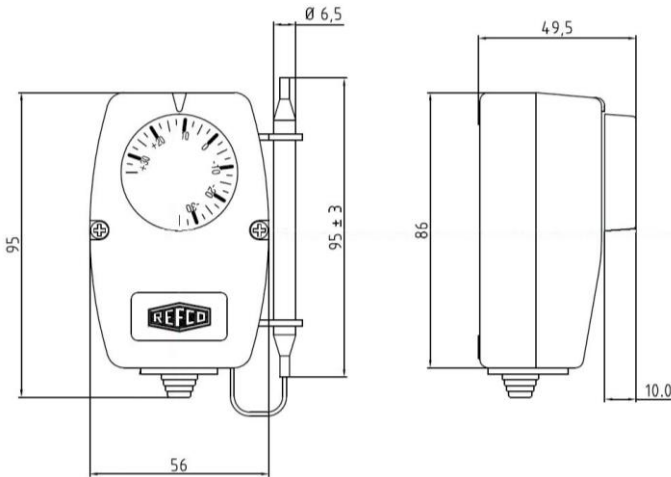
REFCO products have been specially designed and manufactured for use by trained refrigeration and air-conditioning service technicians and engineers only. REFCO explicitly states that their products must only be sold to professionally trained service technicians and engineers.

### 4. Technical data

	<b>TSC-093</b>	<b>TSC-094</b>
Article number	9884170	9884937
Range	-35 - +35°C	
Differential	$3 \pm 2^\circ\text{C}$	
Temperature tolerance	$\pm 2^\circ\text{C}$	
Capillary	1500 MM INOX steel	50 MM INOX steel
Weight	136 g	129 g
Case material	ABS grey	
Printing dial	Black numbers (2.5 resolution)	
Nominal switching capacity (resistive / inductive)	C-1: 2.5 / 0.3A C-2: 15 / 2.5A	C-1: 15 / 2.5A C-2: 2.5 / 0.3A
Nominal switching voltage	400VAC	
Minimum current	200mA	
Insulation resistance	>100 MOhm	
Product lifetime	100'000 cycles	
Max. case temperature	70°C	
Ingress protection	IP44	

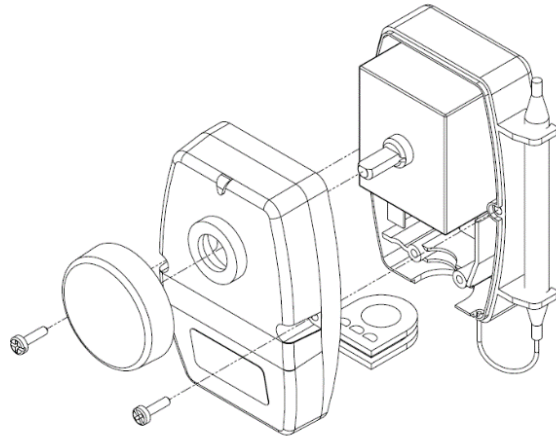
### 5. Product description

#### Dimensions:

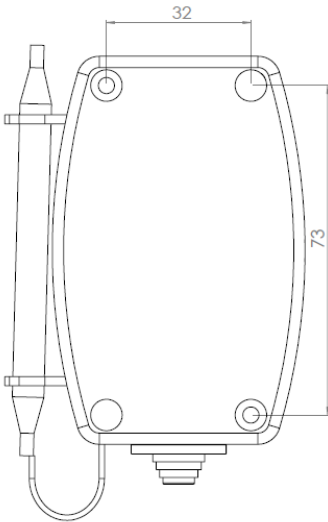


## 6. Installation

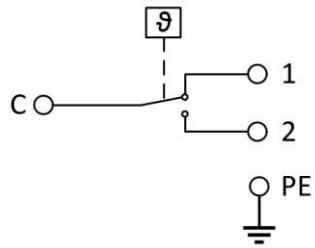
### Assembly:



### Hole pattern for installation:



### Wiring diagram:



### Important:

PE must be connected with a yellow/green wire.

## 7. Return and disposal



At the end of product lifetime of the thermostat, send the product to the separate collection for electric and electronic devices. (According to local regulation)